

SOLIDWORKS INSPECTION TOP ENHANCEMENTS IN 2023

Automate Your Inspection Documentation

The engineering drawings and 3D files are automatically ballooned with Product and Manufacturing Information using the SOLIDWORKS Inspection add-in (PMI). SOLIDWORKS Inspection can accelerate the production of industry standard inspection reports by quicker, faster and more accurate before time to market.

SOLIDWORKS Inspection Standalone:

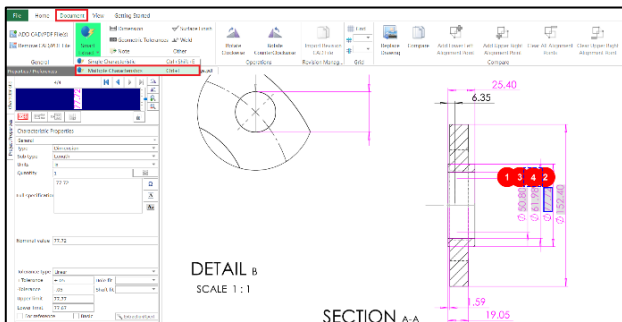
AUTOBALLOONS FOR PDF FILES

The Auto Extract feature which helps you to automatically applies balloons to characteristics in PDF files as well as no-native files, which reduces the time and effort needed to balloon the PDF files.

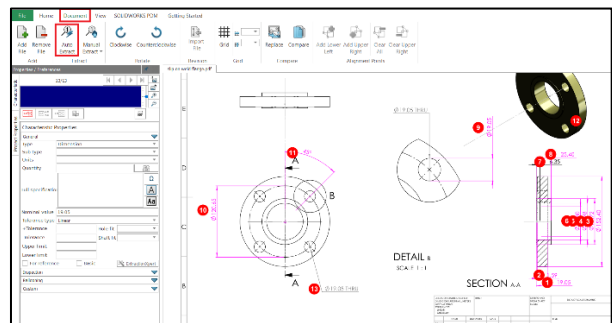
Auto Extract uses a machine learning technique instead of Optical Character Recognition (OCR) to locate the positions and types of annotations attaches to the balloons. The Auto Extract tool replaces the Smart Extract tool. You can use the Auto Extract Property Manager to automatically apply balloons to characteristics in CAD models, drawings, and PDF files.

Where to find;

SOLIDWORKS Inspection Standalone > Document > Auto Extract



2022



2023

MANUALLY BALLOONING PDF FILES

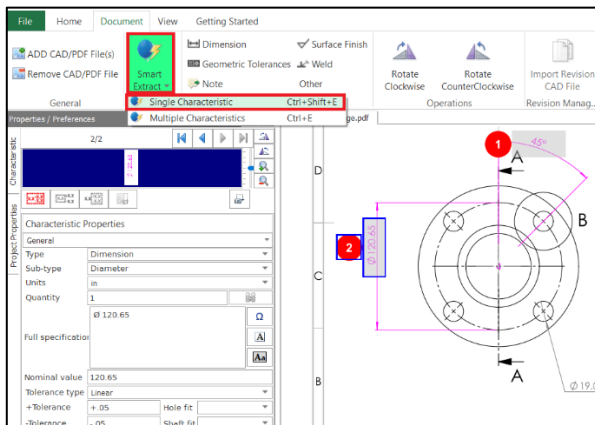
The optical character recognition (OCR) editing tool has been replaced by the Manual Extract tool. It has been simplified to speed up manual annotation extraction to balloon.

Where to find;

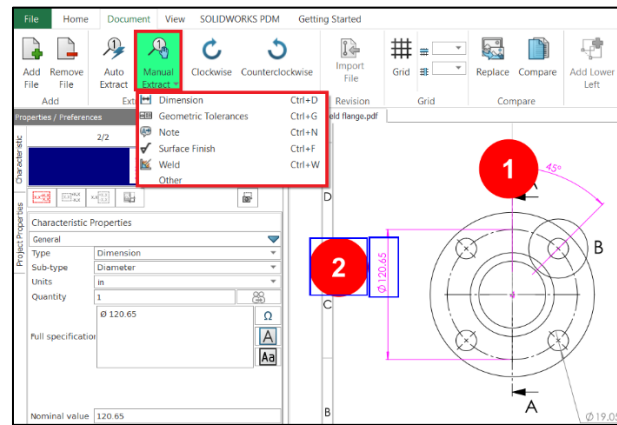
SOLIDWORKS Inspection Standalone > Document > Manual Extract

Click **Manual Extract** (Document ribbon) and select the type of annotation to balloon:

- Dimension
- Geometric Tolerances
- Note
- Surface Finish
- Weld
- Other. Includes annotations such as temperature, torque, and electrical resistance.



2022



2023

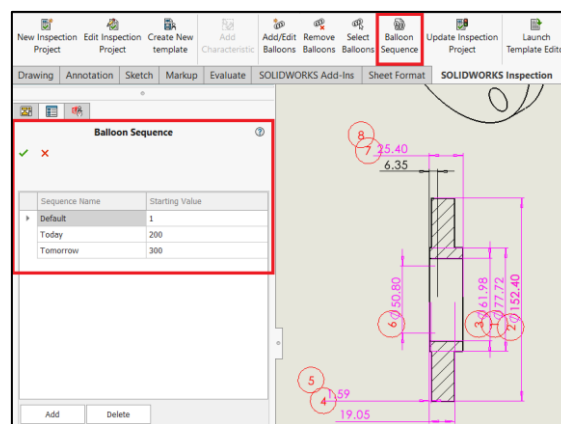
SOLIDWORKS Inspection Add-in:

BALLOON SEQUENCE

You can use the Balloon Sequence tool to define the balloon numbering sequence in multisheet drawings. In multisheet drawings, you can specify sheets to balloon instead of ballooning all sheets in a drawing.

When you select sheets, you can specify each sheet in the drawing to balloon in inspection reports. You can also specify the balloon sequence. You define the balloon sequence with the Balloon Sequence tool.

If you have two or more sheets to balloon continuously, in Sequence/Starting Value, select Continue from previous sheet.





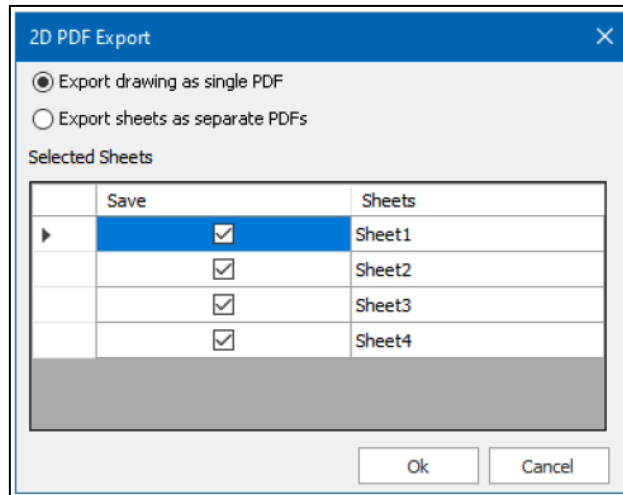
Evolution thro' Knowledge

E G S Computers India Pvt Ltd.

Engineering Global Solutions

EXPORT SHEETS AS SEPARATE 2D PDF FILES

If you balloon drawing sheets separately, you can export the Microsoft Excel and .pdf reports separately. Previously, the reports exported as a continuous report with all sheets included.



EXPORT FAI REPORTS TO SEPARATE MICROSOFT EXCEL DOCUMENTS

When you export a First Article Inspection (FAI) report to Microsoft Excel, you can export characteristics to multiple spreadsheets.

